

NEABILITY

NEO

Neo is designed and manufactured in England by PML FlightLink Ltd. It offers a multitude of functions and unique features for digital motor control - all packed into one tiny, stylish case!

Neo can be used as a drop in replacement for any integral wheelchair controller and can be mounted in-line or to the left or right hand side of wheelchairs. It is available with a choice of either integrated Beau or flying Beau connectors. PML FlightLink has paid attention to the tiniest design details, to ensure technical superiority and a product with real flair.

Special features include:

- 5 auto-step speeds with unique speed display
- Onboard diagnostics & system display
- Top quality joystick from PML FlightLink
- Stand alone programming
- Soft stop option
- PC programming option
- True 50 Amp
- Battery indication
- Horn
- Colour co-ordinated panels
- Documentation for 510k and CE marking
- Beau connector
- Integral or flying lead options
- Front or rear wheel drive selector
- Security key available
- Multi program option

Actual size



Neo is a wheelchair controller for a generation which expects higher levels of design efficiency and performance. No longer is it acceptable for wheelchair controllers to be large and unsightly. Neo proves that controllers can be more powerful than ever before, while offering design elegance.



TECH SPEC

Supply Voltage	24VDC
Motor Type	2x24VDC Permanent Magnet
Over Voltage Trip	32VDC
Under Voltage Trip	16.5VDC
Operating Temperature	-25C to +50C
Storage Temperature	-40C to +65C
Moisture Resistance	To IP54
Connection	Beau Plug or other
Physical size	47 x 113.5 x 185
Construction	Die Cast Zinc
Finish	Black Powder Coated

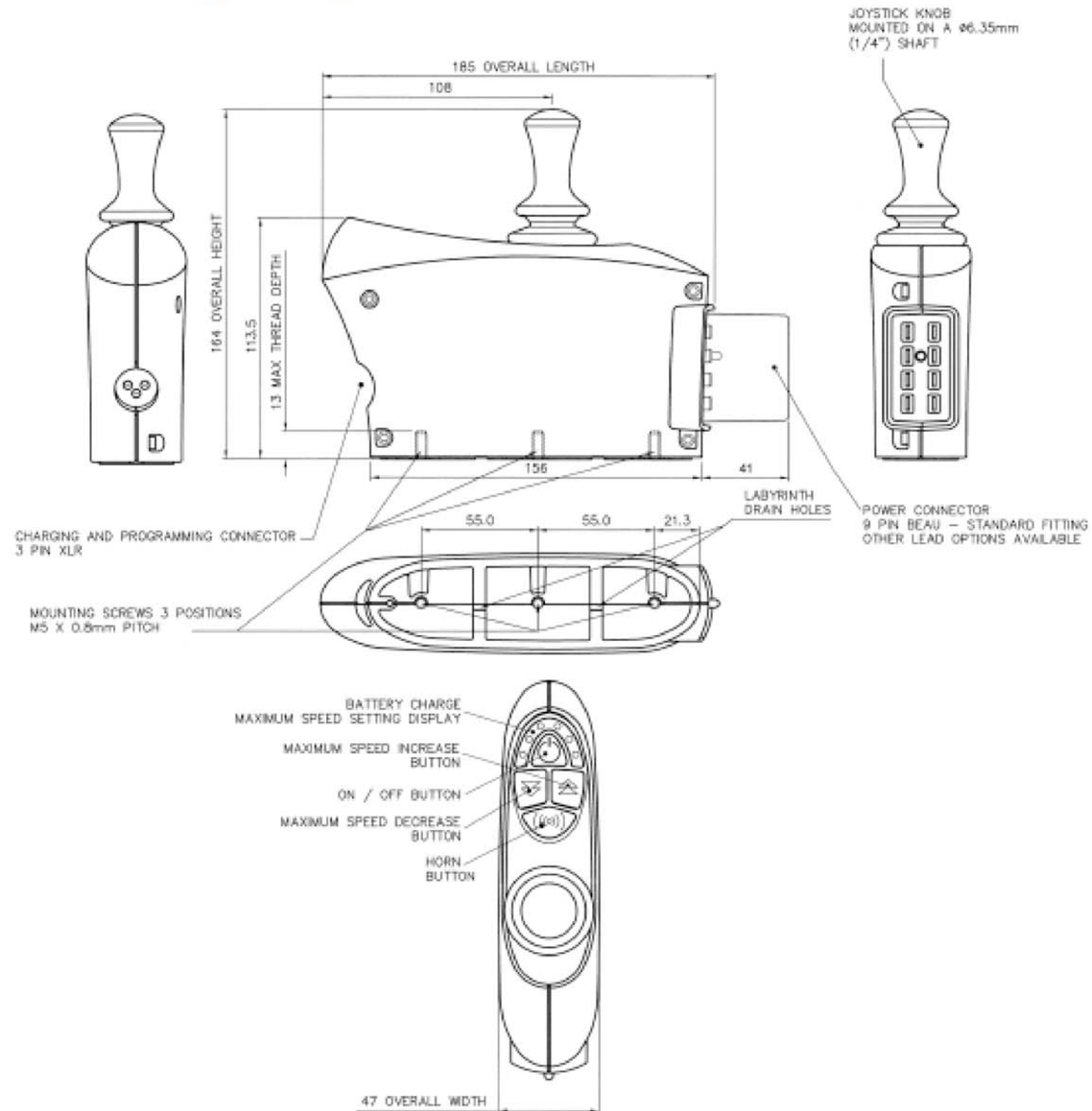
STANDARD NEO FEATURES

As part of Neo's development, rigorous tests were undertaken worldwide to match customers' high expectations for safety, performance and durability.

Environmental : IP54	✓
EMC Testing	✓
ISO 7176-14 compliant	✓
TUV Approved	✓
Documentation for FDA	✓
Available ex stock	✓



TECHNICAL SPECIFICATION



THE NEW DIMENSION IN MOBILITY

LIGHTLINK



Part of the B.Elliott Group Ltd.

PML FLIC